

Fusion energy from plasma block ignition

H. HORA,¹ J. BADZIAK,² S. GLOWACZ,^{2,3} S. JABLONSKI,^{2,3} Z. SKLADANOWSKI,² F. OSMAN,³
YU CANG,^{3,4} JIE ZHANG,⁴ G.H. MILEY,⁵ HANSHENG PENG,⁶ XIANTU HE,⁷ WEIYAN ZHANG,⁶
K. ROHLENA,⁸ J. ULLSCHMIED,⁸ AND K. JUNGWIRTH⁸

¹Department of Theoretical Physics, University of New South Wales, Sydney, Australia

²Institute of Plasma Physics and Laser Microfusion, Warsaw, Poland

³School of Quantitative Methods and Mathematical Sciences, University of Western Sydney, Penrith, Australia

⁴Institute of Physics, Chinese Academy of Sciences, Beijing, China

⁵Fusion Studies laboratory, University of Illinois, Urbana Illinois

⁶China Academy of Engineering Physics, Mianyang, China

⁷Institute of Applied Physics and Computation Mathematics, Beijing, China

⁸Institute of Physics, Academy of Science, Czech Republic, Prague, Czech Republic

(RECEIVED 15 January 2005; ACCEPTED 8 March 2005)

Abstract

Generation of high speed dense plasma blocks is well known from hydrodynamic theory and computations (PIC) with experimental confirmation by Badziak *et al.* (2005) since ps laser pulses with power above TW are available. These blocks may be used for fusion flame generation (thermonuclear propagation) in uncompressed solid state deuterium and tritium for very high gain uncomplicated operation in power stations. Hydrodynamic theory from computations from the end of 1970s to recent, genuine two fluid computations support the skin layer accelerations (SLA), by nonlinear (ponderomotive) forces as measured now in details under the uniquely selected conditions to suppress relativistic self-focusing by high contrast ratio and to keep plane geometry interaction. It is shown how the now available PW-ps laser pulses may provide the very extreme conditions for generating the fusion flames in solid state density DT.

Keywords: Fusion energy; Laser fusion; Nonlinear force; Plasma block ignition; Ponderomotive; Skin layer acceleration

1. INTRODUCTION

The contribution by Miley *et al.* (2005) at this workshop was focused on the classical solution of laser fusion by 10 MJ-ns laser pulses, based on today's physics of volume ignition and technology, with the remaining soluble task for reducing the size and costs of the big lasers (Hora & Miley, 2005: p. 6). Nevertheless, there may be the alternative solution for laser fusion energy by looking to the main topic of our discussions at the workshop (Hora, 2005), how a multi-PW-ps laser regime may offer a more attractive solution in the future. In contrast to the mentioned settled classical solution with ns laser pulses, several unsettled physics problems for the ps pulses need to be solved. There are different conditions at sub-relativistic plasma block operation (Hora *et al.*, 2002a; Hora 2003a, 2003b, 2004; Badziak *et al.*, 1999, 2003, 2004a, 2004b, 2005) of a skin layer acceleration (SLA) by nonlinear (ponderomotive) forces,

in contrast to the numerous research including relativistic self focusing resulting, apart from numerous intriguing relativistic effects in 5 MeV proton beams (Roth *et al.*, 2001; Schaumann *et al.*, 2005), explained as a normal sheath acceleration mechanism (TNSA) based on PIC computations (Wilks *et al.*, 2001) and apart from the general interest in high energy density physics (Campbell, 1992; Campbell *et al.*, 1997).

We focus here on the experimental results and the developed theory, and extensive numerical computations for sub-relativistic generation of plasma blocks, for igniting a fusion flame in a non-compressed solid state density large amount of DT fuel, in view also to define the conditions for experiments following the very powerful results of PIC computations by Esirkepov *et al.* (2004). There are well known extremely high level thresholds to be fulfilled which highly exceeded any possibilities before. The advent of the PW-ps laser pulses (Perry & Mourou 1994; Mourou & Tajima, 2002), however, initiated a turning point such that the extreme requirement for the generation of the fusion flame seems to be a possibility, however, along the sub-relativistic option as the experimentally and theoretically elaborated conditions.

Address correspondence and reprint requests to: H. Hora, Department of Theoretical Physics, University of New South Wales, Sydney 2052, Australia. E-mail: h.hora@unsw.edu.au

From the beginning it should be mentioned that PIC computations (Esirkepov *et al.*, 2004) arrived at similar plasma block generation with laser intensities of 10^{23} W/cm², which completely fulfills the conditions of the thermonuclear propagation (fusion flame generation) in uncompressed solid DT without the complications of relativistic self-focusing. Whether this may be verified is a question to be studied, also in view of the substantial experimental and theoretical results of the here discussed cases on the basis of sub-relativistic results as a reasonable possibility. It should be understood that ignition of large amounts of DT fuel, at densities not much higher than the solid state density, by very intense relativistic electron beams (Nuckolls & Wood, 2002) for energy production by a fast ignitor schemes seems to be realistic. This kind of reacting large size uncompressed DT fuel by the sub-relativistic plasma block ignition for controlled fusion energy generation in power stations was declassified and clarified for open discussion (Hora, 2003a, 2003b). Indeed the scheme of Esirkepov *et al.* (2004) may be a further argument to look into the solution of laser fusion by igniting uncompressed solid DT fuel for power stations.

For completion it should be mentioned that Hain and Mulser (2001) initiated laser generation of a fusion flame generation at the conditions of highly pre-compressed plasma (Deutsch, 2004), as it is necessary in the fast ignitor scheme (Tabak *et al.*, 1994). This ingeniously suggested scheme since the late 1980s (Campbell 2005; Campbell *et al.*, 2000), however, initially led to several difficulties appearing in experiments (Fews *et al.*, 1994) and from theory (Hora *et al.*, 1998). Following these developments, nevertheless, reasonable solutions (Kodama & Fast Ignitor Consortium, 2002) arrived at considerable fusion gains. One modification was the scheme following Nuckolls and Wood (2002) or another modification is the peripheral ignition (Hain & Mulser, 2001; Leon *et al.*, 2001) after the incompatibility of funnel generation and energy deposition in the pre-compressed plasma was evident (Mulser & Bauer, 2004; Mulser & Schneider, 2004). The following discussion for application of the sub-relativistic plasma blocks for igniting a fusion flame is intended into a similar direction where the knowledge of the PIC results of extremely intensive plasma blocks (Esirkepov *et al.*, 2004) may be an encouraging direction to solve the laser fusion reactor at very simplified conditions. It should be mentioned that the plasma blocks (Badziak *et al.*, 2005) result in 1000 higher current densities than the proton fast igniter (Roth *et al.*, 2001) and may verify a solution, however, with laser precompression of the DT fuel to 1000 times solid density.

2. DIFFICULTY TO PRODUCE THERMONUCLEAR PROPAGATION IN UNCOMPRESSED DT

The initial theory to find the conditions for the fusion flame generation (thermonuclear propagation) (Nuckolls & Wood,

2002) was published by Bobin (1971) and Chu (1972) as summarized (Bobin, 1974; Brueckner & Jorna, 1974) to arrive at the following:

Condition A: the necessary energy flux density for plane geometry has to be

$$E > E^* = E_{ign} = 4 \times 10^8 \text{ J/cm}^2, \quad (1)$$

which is above the critical value $E_{crit} = 1.2 \times 10^8 \text{ J/cm}^2$. This critical value does not change much for other geometries (cylindrical, spherical).

Condition B: if the flame is carried by and ion beam of the optimum DT reaction energy of 80 keV, the ion current density has to be

$$j > 10^{10} \text{ Amps/cm}^2. \quad (2)$$

These conditions were indeed far above the possibilities the lasers offered in the 1970s. Considering the interpenetration of the hot plasma of the fusion flame when propagating into the cold solid state DT, a reduction of the condition (1) to

$$E^{**} = 2 \times 10^7 \text{ Amps/cm}^2, \quad (3)$$

was considered (Hora, 1983).

In view of the present aspects to study the fusion flame generation, it is interesting to mention a number of corrections in the earlier theory which may relax the values of E^* to lower values.

Thermal conductivity in the plasma was based—as correct inside of homogeneous plasmas—on the thermal conductivity κ_e of electrons. This is different at the conditions of inhomogeneous plasmas as realized from the double layers (Eliezer & Hora, 1989) and as measured from the field effects in the surface of laser produced plasmas recognized by computations as double layers and even as inverted double layers due to the nonlinear force driven cavities (Hora *et al.*, 1984). This decrease of thermal conductivity was concluded indirectly when fitting measurements of laser produced fast pushers for DT fusion with numerical simulations. A fit was reached if an inhibition of the thermal conduction of electrons could be assumed by a factor up to about 70. From the double layer theory (Eliezer & Hora, 1989) it could be concluded, Figure 1, that the thermal conduction is performed only by the ions such that the thermal conductivity is then

$$\kappa = \kappa_e (m_e/m_i)^{1/2}, \quad (4)$$

which value for the experiment is then close to 70 as expected. The omission of this double layer effect is the reason for misinterpretations of the otherwise very sophisticated fast pusher laser fusion experiments, e.g., about preheats.

Another effect not included in the theory (Bobin, 1974) is the quantum modification of the electron ion collision frequency. Based on work by Marshak (1941), the classical collision frequency ν_c has to be modified to

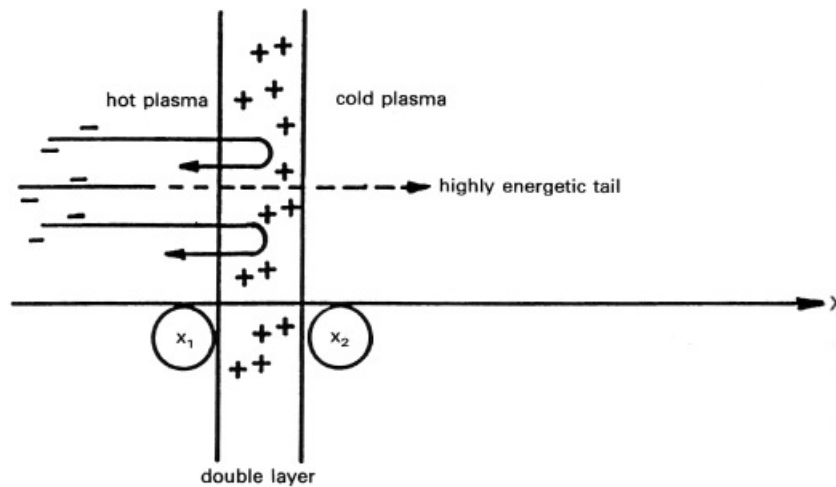


Fig. 1. Electric double layer between hot and cold plasma: after the electrons with high energy have left the double layer as preheat towards the cold plasma, the remaining ions only can carry heat conduction at the $(m_e/m_i)^{1/2}$ times lower conductivity than electrons.

$$\nu = \nu_c T/T^* T^* = (4/3)Z^2 m c^2 \alpha^2 = 36.9Z^2 \text{ eV}, \quad (5)$$

where Z is the ion charge, m the rest mass of the electron, c the speed of light, and α the fine structure constant. This fact has been recognized in several plasma experiments at sufficiently high temperatures and is the reason for the anomalous resistivity, for the measured 20 times higher diffusion of deuterium against the magnetic field at 800 eV temperature (Grieger & Wendelstein VII Team, 1981), and the deviation of thermal conductivity (Razumova, 1983) from the classical value agreeing with the quantum corrected values (Hora, 1991: Section 2.6). This quantum modification causes a faster energy transfer from electrons to ions in the fusion flame than under the classical assumptions.

Another problem for the interpenetration process is, what to use for the stopping power of the energetic ions in the plasma flame region. There was a heated discussion (Stepanek, 1981) that the stopping length should be quite large as derived from binary collision models following the Bohr–Bethe–Bloch formulas. In contrast there are experiments by Kerns *et al.* (1972) as outlined by Guenther (1974) where 2 MeV–0.5 MAmp electron beams of 10 ns duration and 2 mm diameter were hitting deuterated polyethylene producing 10^{10} fusion neutrons. In order to measure the penetration depth of the electron beam, the thickness of the target was varied. The saturation of neutron emission at 3 mm proved this value as stopping length. The Bethe–Bloch formula would have arrived at more than 20 times larger stopping lengths. Following Bagge’s model for cosmic radiation (Bagge & Hora, 1974) by using a plasma collective energy

$$E_B = e^2/r_{Debye}, \quad (6)$$

in the stopping power instead of the otherwise used 15.5 eV in the binary collision theory. This means that the fast

particles are slowed down as if hitting the whole Debye spheres of the plasma. This model was introduced first by Gabor (1953) and was based on quantum electrodynamics (Ray & Hora, 1977) using an unpublished derivation of Max Born for the Fokker–Planck collisional term in the Boltzmann equation. With this collective collisions, the relativistic penetration of the 2 MeV electrons interactions with the deuterated polyethylene immediately resulted in a stopping length of 3 mm. This result again is reducing the theoretical value E^* for the energy flux density.

3. NEW ASPECTS BY SKIN LAYER ACCELERATION OF PLASMA BLOCKS

There was an unexpected effect in the plasma block acceleration by the nonlinear force as first measured by Sauerbrey (1996) with completely unprepared 350 fs KrF laser pulses. Similar unpredicted results on ion emission appeared with ps neodymium glass laser pulses with sophisticated preparation for suppression of pre-pulses (contrast ratio 10^7 or higher) in numerous details by Badziak *et al.* (2003, 2004a) as an expression of a skin layer acceleration process (Hora *et al.*, 2002a; Hora, 2003a, 2003b). The uniqueness consists in the avoiding of relativistic self-focusing. Usually it was the experience since the 1970s that the plane geometry plasma blocks were never generated at interaction with powerful laser beams. It always happened that relativistic self-focusing (Hora, 1975, 1991, Section 12.2) appeared (Haseroth & Hora, 1996) and the generation of large numbers of highly charged ions of MeV energy nearly up to GeV were measured moving into a wide range of angles. The more were these relativistic self-focusing effects involved in most of the later ps interaction experiments with TW to PW power apart from many new relativistic effects of pair production (Roth *et al.*, 2001), relativistic electron beams (Umstadter, 1996), gammas of more than 10 MeV energy

with subsequent nuclear reactions (Ledingham *et al.*, 2000; Clark *et al.*, 2001; Wilks *et al.*, 2001; Schwoerer *et al.*, 2001; Leemans *et al.*, 2001) etc.

In retrospect, we can consider the discovery of the plane wave geometry without self-focusing by Sauerbrey (1996) as a completely new phenomenon in contrast to all the other experiments known at this time. This is due to the fact—as we know now in retrospect from the work by Badziak *et al.* (2004a, 2005) as skin layer acceleration (Hora *et al.*, 2002a)—that the 360 fs TW pulses of Schäfer's (1986, see also Teubner *et al.*, 1993) KrF excimer laser were extremely clean, i.e., without prepulse, estimate with a contrast ratio of at least 10^7 . The fact that the Doppler acceleration measured by Sauerbrey (1996) was from a plane geometry plasma block moving against the laser light and that there was not the relativistic self focusing known from all the other observations, can be seen from the splendid agreement of the measured acceleration with the action of the nonlinear force (Hora, 1969, 1986, 1991).

Sauerbrey (1996) measured an acceleration A in a carbon plasma produced by a 350 fs TW KrF laser pulse at 3.5×10^{17} W/cm² of

$$A_{exp} = 10^{20} \text{ cm/s}^2. \quad (7)$$

This corresponds to an electric field $E^2 = 2.9 \times 10^{15}$ erg/cm³ and a density $n_i m_i$ of the accelerated plasma layer of 5.4×10^{-3} g/cm³ at the critical density $n_i = 1.6 \times 10^{21}$ cm⁻³ for C⁺⁶ ions. The nonlinear force is

$$f_{NL} = n_i m_i A = -(1/16\pi)(\omega_p/\omega)^2(d/dx)E^2. \quad (8)$$

Assuming for simplification $dx = \Delta x = 10 \mu\text{m}$ and a swelling $S = 2$ (the experiments Badziak *et al.*, 2003 for ps pulses resulted in $S = 3.5$) we find the theoretical value

$$A_{NL} = 1.06 \times 10^{20} \text{ cm/s}^2 \quad (9)$$

Since end of the 1970s, plane geometry numerical studies of the nonlinear force interaction led to results of interaction of few ps duration and with laser fields up to 10^{18} W/cm² which were then completely academic and too early in view of the just mentioned experiments during the last few years, but the results showed the plasma block acceleration which obviously was first observed in such a clear way by Sauerbrey (1996). Figure 2 shows results of these computations where a deuterium plasma block of several wave length thickness was accelerated against the laser light with velocities above

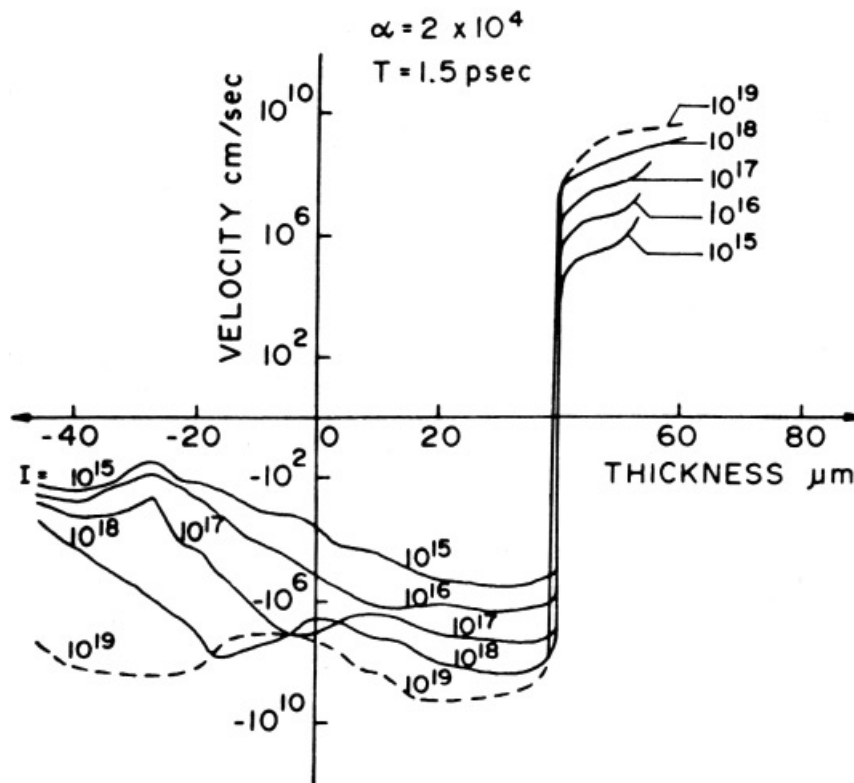


Fig. 2. Generation of blocks of deuterium plasma moving against the neodymium glass laser light (positive velocities v to the right) and moving into the plasma interior (negative velocities) at irradiation by a neodymium glass laser of 10^{15} to 10^{18} W/cm² intensity onto an initially 100 eV hot and $100 \mu\text{m}$ thick bi-Rayleigh profile (Hora, 1991:Fig. 10.17) with minimum internal reflection at the beginning. The velocity profiles are shown at the same time for 1.5 ps after begin of the constant irradiation (Hora, 1991).

10^9 cm/s at neodymium glass laser beam irradiation of 10^{18} W/cm² intensity.

Another key experiment was that by Zhang *et al.* (1998) (see Wu *et al.*, 2005) where 100 fs TW laser pulses were focused to about 30 wave lengths diameter onto a target and the X-ray emission was measured. The laser pulses produced very much lower X-rays than known from other experiments with the same intensities. The uniqueness of this experiment consists in the procedure, that a lower intensity similar pulse was irradiated on the target at varying times between 10 to 100 ps *before* the main pulse. At short time pre-irradiation, no change of the low X-ray emission was seen, but as soon as the pre-pulse time reached 70 ps and more, suddenly the very high X-ray emission appeared as known from all the usual main stream experiments. The later given explanation (Hora & Wang, 2001) was evident: thanks to the clean laser pulse technique where the contrast ratio for the main pulse was 10^8 (ratio of suppression of any pre-pulse). When the 70 ps prepulse was incident, a plasma plume was generated of a depth about two times the focus diameter. This was sufficient that the main pulse was shrinking to about one wave length diameter by relativistic self-focusing such that the then very high X-ray intensities resulted as in the usual cases.

These both experiments (Sauerbrey, 1996; Zhang *et al.*, 1998) were a clear confirmation of the plane wave plasma interaction, in agreement with the plane wave interaction theory, Figure 2, and the exclusion of the self-focusing theory (Hora, 1975; Jones *et al.*, 1982; Häuser *et al.*, 1992; Osman *et al.*, 1999) was rather an unexpected surprise. The drastic difference against the usual observations appeared with the experiments by Badziak *et al.* (1999) from the studies of ion emission with high contrast ratio ps-TW laser pulses. This mutually confirmed the high contrast ratio of the excimer laser pulses (Sauerbrey, 1996) as well as the very clean techniques of the other experiments (Zhang *et al.*, 1998; Hora & Wang, 2001).

The experiments (Badziak *et al.*, 2003) with copper targets should have led to Cu⁺¹³ ion of 22 MeV energy due to relativistic self-focusing, but only 0.5 MeV ions were detected. Furthermore it was strange that the *number of the fast ions did not change* at all when the laser intensity was varying by a factor 30, while the energy of the fast ions was fully linear on the laser intensity as expected from nonlinear force acceleration. The measured X-ray emission, leading to a quiver energy swelled dielectrically by a factor three, fully explaining the measured ion energies from a plane wave interaction which was taking place within the skin depth of intensity of independent volume (Hora *et al.*, 2002b). This confirmed the observation of the intensity independence of the fast ions. These experiments were repeated with gold targets confirming all the details of the skin layer mechanism (Badziak *et al.*, 2003) including the generation of the plasma block moving into the target as experimentally confirmed from thin irradiated films (Badziak *et al.*, 2004a, 2004b) and confirming an ion current density in the blocks above

$$j > 10^{10} \text{ A/cm}^2. \quad (10)$$

The measurements confirmed also (Badziak *et al.*, 2003) that the ps-TW interaction resulted only in one narrow ion beam, Figure 3, accelerated against the laser light as expected from the nonlinear force acceleration while the use of longer laser pulses as usually resulted in several groups of ions (Ehler, 1975) moving into a wide angle against the laser light (Wolowski *et al.*, 2003). The result of Eq. (10) was most intriguing since it opened the connection to the very early hope, that the plasma blocks from the skin layer acceleration using the nonlinear force can well provide the conditions from sub-relativistic laser plasma interaction with DT ion current densities exceeding 10^{10} Amps/cm² and optimum ion energies of 80 keV for initiation of a fusion flame according to Eq. (2). These high density ion currents move space charge neutral within the plasma blocks since their Debye length is more than 10 times smaller than the thickness of the blocks.

Because of the importance of the very high current densities in the nonlinear force driven plasma blocks from the SLA process, extensive numerical calculations were performed using the genuine two fluid model with two different but very general codes (Badziak *et al.*, 2004a, 2004b; Cang *et al.*, 2005; Jablonski, 2005; Glowacz *et al.*, 2006). Figure 4 shows the intensity dependence of the block velocities and current densities and Figure 5 is showing also the dependence of the interaction on the duration of the laser pulse.

It should be mentioned that PIC calculations for the SLA plasma block generation were performed (Klimo & Limpouch, 2006) with very similar results as the genuine two fluid computations showed. The insufficiency of the PIC codes for omitting collisions does not count so much for the laser intensities around 10^{17} W/cm² since the basic interaction is the nonlinear force which is essentially a collisionless interaction process. The careful inclusion of the collisions in the hydrodynamic codes is a point of safety for the

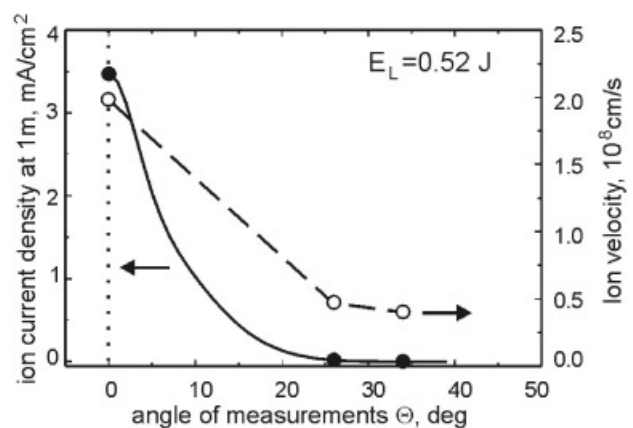


Fig. 3. The rough angular distributions of mean velocity and peak current density at 1 m from Au target for backward-emitted fast ions driven by 1-ps laser pulses of intensity 7×10^{16} W/cm² (Badziak *et al.*, 2003).

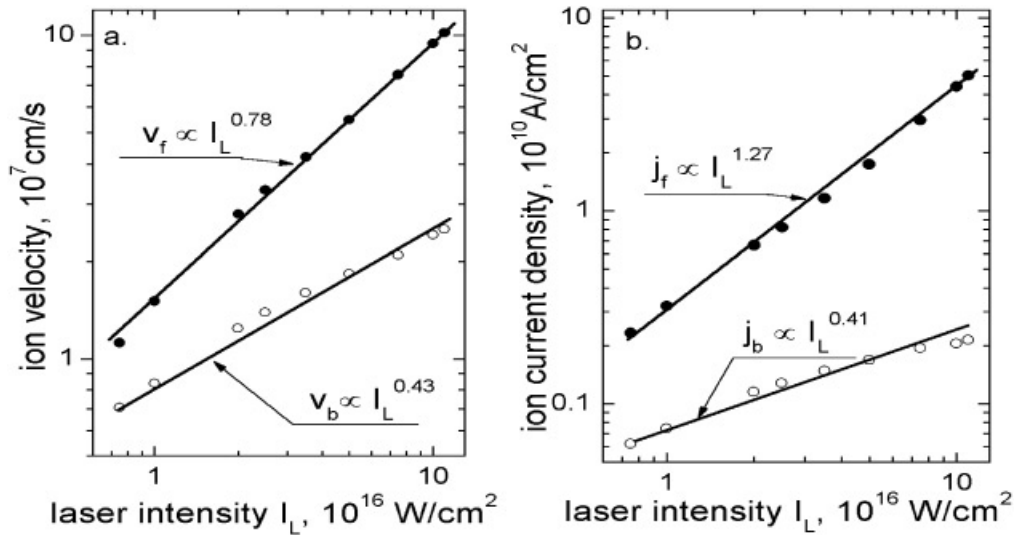


Fig. 4. The maximum ion velocities (a) and the maximum ion current densities (b) for backward-emitted (v_b, j_b) and forward-emitted (v_f, j_f) ions as a function of laser intensity, $\tau_L = 1, \bar{L}_n \lambda = 1$ (Badziak et al., 2004a).

studies, since it is well known from the theory of resonance absorption (Hora, 1991: Section 11.2) that the essential negative infinite pole of the collisionless theory changes to nearly positive infinite values if the slightest absorption is included.

4. PW-ps LASER PULSES FOR CONTROLLED IGNITION OF SOLID DT

The just presented results of nonlinear force driven plasma blocks by the TW or PW laser pulses of ps duration may open laser fusion by generating the fusion flame in uncom-

pressed solid state density DT as envisaged by Bobin (1974). This alternative for laser fusion would very much simplify a laser fusion reactor avoiding the complicated compression of the DT fuel to several 1000 times the solid state density and may provide the controlled reaction with very high gain in the range of 10^4 for a much lower cost competitive technological solution.

The result (10) of ion current densities above 10^{10} A/cm² for ion energies above 50 keV up to higher values from fast blocks driven into a target by the nonlinear (ponderomotive) force at laser interaction may permit an application to beam fusion as discussed before (Hora, 2004, Hora et al., 2004).

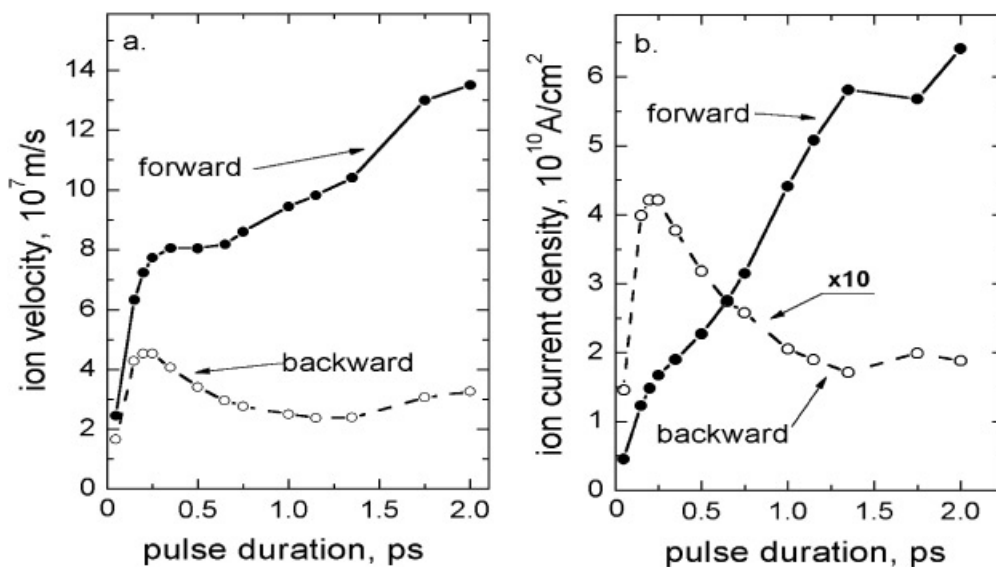


Fig. 5. The maximum ion velocities (a) and the maximum ion current densities (b) as a function of the laser pulse duration. $I_L = 10^{17}$ W/cm², $L_n/\lambda = 1$ (Badziak et al., 2004a).

Light ion beams for igniting nuclear fusion reactions in uncompressed solid deuterium-tritium targets were considered for years and the necessary conditions turned out to be far above the available technology for generating the ion beams. Nevertheless this scheme was studied in various experiments (Yonas, 1978; Ryutov *et al.*, 2000). The difficulties with the necessary conditions were the two limits of Eqs. (1) and (2) of the energy flux density the ion current density for generating a thermonuclear propagation front (flame propagation) into uncompressed solid DT. Condition (2) can now be fulfilled with the ps laser pulses in the PW range with rather unfocussed beams in order to stay with the optimized DT energies of about 80 keV. We discuss now how the condition (1) may be fulfilled.

Specific studies of the interpenetration process (Hora, 1983) in view of the new knowledge of plasma theory may well permit that the threshold for E^* may be further reduced

$$E^* < 2 \times 10^7 \text{ J/cm}^2, \tag{11}$$

as explained in the preceding section. In the experiments (Badziak *et al.*, 2004a; 2005) the energy flux density was nearly up to values of 10^6 J/cm^2 . In the following, we may concentrate on the more pessimistic value of Eq. (1).

For the physics—within many more problems to be clarified—it has to be shown that at least condition (1) has to be fulfilled where we are aware that this even may be considered as a pessimistic conclusion in view of the not yet exhausted theory about the threshold E^* toward lower values. For the compressing block, the whole maximum quiver energy of the electron is converted into translation energy of the ions. The aim for the DT interaction, we use the oscillation energy of 80 keV of the resonance maximum of the DT reaction may not necessarily be the best choice. Since this is close to the relativistic threshold intensity I_{rel} we have to use the general quiver energy (Hora, 1991)

$$\epsilon_{osc} = m_o c^2 [(1 + 3SI_{vac}/I_{rel})^{1/2} - 1], \tag{12}$$

where the maximum intensity $I_{max} = SI_{vac}$ due to the dielectric swelling near the critical density is expressed by the factor S with the laser intensity I_{vac} in vacuum at the target surface.

For the general analysis, we have to be flexible about the chosen values of the applied maximum (dielectrically swelled) oscillation energy ϵ_{osc} into the translation DT ion energy ϵ_{trans} in adjustment to fusion cross sections (Li *et al.*, 2004). We further let open the value of the energy flux density $E^* = I_{vac}\tau_L$ for the reaction conditions (2) or (10), or possibly even a lower value depending on the future research to find the correct value E^* where the laser pulse duration τ_L will have to be in the range of ps. According to our numerical studies (Badziak *et al.*, 2004a, 2004b; Jablonski *et al.*, 2005, Glowacz *et al.*, 2006; Cang *et al.*, 2005) in agreement with summarizing estimations, this value could well be a few ps. From

$$I_{vac} = E^*/\tau_L, \tag{13}$$

we arrive at the function for the laser wave length

$$\lambda(\epsilon_{\tau_{pavov}}, E^*, \tau_L, S) = [\tau_L I_{rel}^*/(3SE^*)]^{1/2} \times \{[(\epsilon_{trans}/m_o c^2) + 1]^2 - 1\}^{1/2}. \tag{14}$$

Using as a special case $\tau_L = 3\text{ps}$, $E^* = 2 \times 10^7 \text{ J/cm}^2$, $\epsilon_{trans} = 80 \text{ keV}$, we arrive at

$$\lambda = 0.516/S^{1/2} \mu\text{m}. \tag{15}$$

The nonlinear force driven two-block skin layer interaction model works for swelling S considerably larger than 1, as it was the case automatically from the detailed analysis

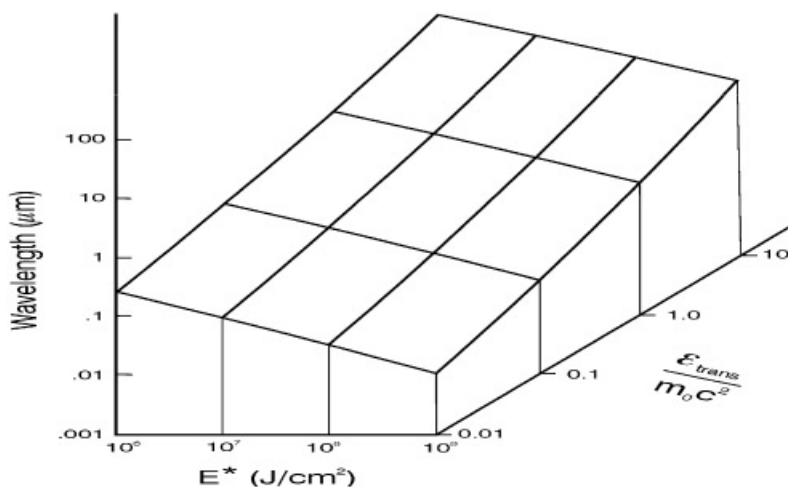


Fig. 6. Relation between the laser wave length the aimed ion energy ϵ_{trans} in multiples of $m_o c^2$ and the necessary energy flux density for ignition of uncompressed DT following Eq. (14) for $S = 1$ and a laser pulse length of 3 ps.

of the measurements (Hora *et al.*, 2002*b*; Badziak *et al.*, 2003) with $S = 3$. The lowest possible case with $S = 1$, is that without any dielectric swelling where the whole laser pulse energy is transferred as in the simple case of radiation pressure (Hora, 1991) to the (nonlinear-force collisionless dominated) absorbing plasma. We conclude that the conditions of (1) or (11) could well be fulfilled for the ignition of uncompressed solid DT fuel when applying shorter laser wave length than that of the neodymium glass laser, which are well in the reach of present technology. For the pessimistic case of Bobin (1974), the numerical factor in (15) is 0.105 such that with $S = 1$, just the borderline of higher harmonics CPA or of excimer lasers would be covered. Further research on lower values of E^* and numerical studies for a little bit longer laser pulses may further relax the conditions, and longer laser wave lengths would be possible. Figure 6 shows the dependence of the necessary laser wave length for a pulse length of 3 ps and swelling $S = 1$, which one needs for a desired ion translative energy in multiples of $m_0 c^2$ (m_0 is the rest mass of the electron) if the threshold E^* is given. Maybe there is a narrow gap for successful conditions.

This study with several preliminary estimations on fusion apart from the solid experimental and theoretically based results on the plasma block generation, may provide the framework for further evaluation of the PIC results for generation of plasma blocks fully covering conditions (1) and (2) (Esirkepov *et al.*, 2004). Attention has to be directed to how to avoid relativistic self-focusing and how to fit the optimum DT ion energies for the fusion flame. Our present position from the side of sub-relativistic conditions may be an alternative approach on the way to the very simplified low cost fusion reactor.

REFERENCES

- BADZIAK, J., GŁOWACZ, S., JABŁOŃSKI, S., PARYS, P., WOŁOWSKI, J. & HORA, H. (2005). Laser-driven generation of high-current ion beams using skin-layer ponderomotive acceleration. *Laser Part. Beams* **23**, 401–409.
- BADZIAK, J., GŁOWACZ, S., JABLONSKI, S., PARYS, P., WOŁOWSKI, J., HORA, H., KRASKA, J., LASKA, J. & ROHLENA, R. (2004*a*). Production of ultrahigh ion current densities at Skin-Layer subrelativistic laser-plasma interaction. *Plasma Phys. Contr. Fusion* **46**, B541–B555.
- BADZIAK, J., GŁOWACZ, S.G., JABLONSKI, S., PARYS, P., WOŁOWSKI, J. & HORA, H. (2004*b*). Production of ultrahigh-current-density ion beams by short-pulse skin-layer laser-plasma interaction. *Appl. Phys. Lett.* **85**, 3041–3043.
- BADZIAK, J., HORA, H., WORYNA, S., JABLONSKI, S., LASKA, L., PARYS, P., ROHLENA, K. & WOŁOWSKI, J. (2003). Experimental evidence of differences in properties of fast ion fluxes from short-pulse and long-pulse laser-plasma interaction. *Phys. Lett. A* **315**, 452–457.
- BADZIAK, J., KOZLOV, A.A., MAKOWSKI, J., PARYS, P., RYC, L., WOŁOWSKI, J., WORYNA, E. & VANKOV, A.B. (1999). Investigation of ion streams emitted from plasma produced with a high-power picosecond laser. *Laser Part. Beams* **17**, 323–329.
- BAGGE, F. & HORA, H. (1974). Calculation of the reduced penetration depth of relativistic electrons in plasmas for nuclear fusion. *Atomkernenergie* **24**, 143–144.
- BOBIN, J.L. (1971). Flame propagation and overdense heating in laser created plasma. *Phys. Fluids* **14**, 2341–2356.
- BOBIN, J.L. (1974). *Laser Interaction and Related Plasma Phenomena* (Schwarz, E. & Hora, E., Eds.), Vol. 3B, pp. 465–481. New York: Plenum.
- BRUECKNER, K.A. & JORNA, S. (1974). Laser driven fusion. *Rev. Mod. Phys.* **46**, 325–367.
- CAMPBELL, E.M. (1992). The physics of megajoule, large-scale, and ultrafast short-scale laser plasmas. *Phys. Fluids* **B4**, 3781–3799.
- CAMPBELL, E.M., BALDWIN, D. & BLUE, N. (2000). Congratulation message for Professor Chiyoe Yamanaka, *Light and Shade: Festschrift to the 77th Birthday of Chiyoe Yamanaka*, (ILE, Osaka University) p. 470–472.
- CAMPBELL, E.M., HOLMES, N.C., LIBBY, B.S., REMINGTON, B.A. & TELLER, E. (1997). The evolution of high-energy-density physics: From nuclear testing to the super lasers. *Laser Part. Beams* **15**, 607–626.
- CANG, Y., OSMAN, F., HORA, H., ZHANG, J., BADZIAK, J., WOŁOWSKI, J., JUNGWIRTH, K., ROHLENA, K. & ULLSCHMIED, J. (2005). Computations for nonlinear force driven plasma blocks by picosecond laser pulses for fusion. *J. Plasma Phys.* **71**, 35–51.
- CHU, M.S. (1972). Thermonuclear reaction waves at high densities. *Phys. Fluids* **15**, 413–422.
- CLARK, F.L., KRUSHELNIK, K., ZEPF, M., BEG, F.N., TATARAKIS, M., MACHACEK, A., SANTALA, M.I.K., WATTS, I., NORREYS, P.A. & DANGOR, A.E. (2001). Energetic heavy ion and proton generation from ultraintense laser-plasma interactions with solids. *Phys. Rev. Lett.* **85**, 1654–1657.
- DEUTSCH, C. (2004). Penetration of intense charge particle beams in the outer layers of precompressed thermonuclear fuels. *Laser Part. Beams* **22**, 115–120.
- EHLER, A.W. (1975). High-energy ions from a CO₂ laser-produced plasma. *J. Appl. Phys.* **46**, 2464–2467.
- ELIEZER, S. & HORA, H. (1989). Double layers in laser-produced plasmas. *Phys. Rep.* **172**, 339–406.
- ESIRKEPOV, T., BORGHESI, M., BULANOV, S.V., MOUROU, G. & TAJIMA, T. (2004). Highly efficient relativistic-ion generation in the laser-piston regime. *Phys. Rev. Lett.* **92**, 175003.
- FEWS, P.A., *et al.* (1994). Plasma ion emission from high intensity picosecond laser pulse interactions with solid targets. *Plasma Phys. Contr. Fusion* **36**, 1801–1804.
- GABOR, D. (1953). Collective model for particle interaction in plasmas. *Proc. Royal Soc. London A* **213**, 73–92.
- GŁOWACZ, S., HORA, H., BADZIAK, J., JABLONSKI, S., CANG, Y. & OSMAN, F. (2006). Analytical description of rippling effect and ion acceleration in plasma by a short laser pulse. *Laser Part. Beams*, in press.
- GRIEGER, G. & WENDELSTEIN VII TEAM (1981). Measurements at the Wendelstein stellarator. In *Plasma Physics and Controlled Nuclear Fusion Research 1980*. Vol. I, p. 173–179 and p. 185–192. Vienna: IAEA.
- GUENTHER, A.H. (1974). Report on Experiments at Kirtland Air force Base, New Mexico.
- HAIN, S. & MULSER, P. (2001). Fast ignition without hole boring. *Phys. Rev. Lett.* **86**, 1015–1018.

- HASEROTH, H. & HORA, H. (1996). Physical problems of the ion generation in laser driven ion sources, laser and particle beams. *Laser Part. Beams* **14**, 395–438.
- HÄUSER, T., SCHEID, W. & HORA, H. (1992). Theory of ions emitted in plasma by relativistic self-focusing of laser beams. *Physical Rev. A* **45**, 1278–1281.
- HORA, H. (1969). Nonlinear confining and deconfining forces associated with the interaction of laser radiation with plasma. *Phys. Fluids* **12**, 182–191.
- HORA, H. (1975). Theory of relativistic self-focusing of laser radiation in plasmas. *J. Opt. Soc. Amer.* **65**, 882–886.
- HORA, H. (1981). Quantum properties of collisions in plasmas at high temperatures. *Nuovo Cimento* **64B**, 1–8.
- HORA, H. (1983). Interpenetration burn for controlled inertial confinement fusion driven by nonlinear laser forces. *Atomkernenergie* **42**, 7–10.
- HORA, H. (1986). The transient electrodynamic forces at laser-plasma interaction. *Phys. Fluids* **28**, 3706.
- HORA, H. (1987). *Encyclopaedia of Physical Science and Technology*. Vol. 7, p. 99. San Diego: Academic Press.
- HORA, H. (1991). *Plasmas at High Temperature and Density*. Heidelberg: Springer.
- HORA, H. (2003a). Fusion reactor with petawatt laser (in German) *German Patent Application* 1033 08 515.3 (28.2.2002, declassified, 5. Sept. 2002) Published Oct. 11.
- HORA, H. (2003b). Skin-depth theory explaining anomalous picosecond-terawatt laser plasma interaction II. *Czech. J. Phys.* **53**, 199–217.
- HORA, H. (2004). Developments in inertial fusion energy and beam fusion at magnetic confinement. *Laser Part. Beams* **22**, 439–449.
- HORA, H. (2005). Difference between relativistic petawatt-picosecond laser-plasma interaction and subrelativistic plasma-block generation. *Laser Part. Beams* **23**, 411–451.
- HORA, H., AZECHI, H., KITAGAWA, Y., MIMA, K., MURAKAMI, M., NAKAI, S., NISHIHARA, K., TAKABE, K., YAMANAKA, M. & YAMANAKA, C. (1998). Measured laser fusion gains reproduced by self-similar volume compression and volume ignition for NIF conditions. *J. Plasma Phys.* **60**, 743–760.
- HORA, H., BADZIAK, J., BOODY, F., HÖPFL, R., JUNGWIRTH, K., KRALKOWA, B., KRASKA, J., LASKA, L., PARYS, P., PERINA, V., PFEIFER, K. & ROHLENA, J. (2002a). Effects of ps and ns laser pulses for giant ion source. *Opt. Commun.* **207**, 333–338.
- HORA, H., OSMAN, F., HÖPFL, R., BADZIAK, J., PARYS, P., WOŁOWSKI, J., SKALA, J., ULLSCHMIED, J., WOŁOWSKI, J., WORYNA, E., WORYNA, W., BOODY, F., JUNGWIRTH, K., KRALKOW, A.B., KRASKA, J., LASKA, L., PFEIFER, M., ROHLENA, K., SKALA, J. & ULLSCHMIED, J. (2002b). Skin depth theory explaining anomalous picosecond laser plasma interaction. *Czech J. Phys.* **52**, D349–D361.
- HORA, H., BADZIAK, J., BOODY, F., HÖPFL, R., JUNGWIRTH, K., KRALKOWA, B., KRASKA, J., LASKA, L., PFEIFER, M., SKALA, J. & ULLSCHMIED, J. (2003). Skin depth theory for nonlinear-force driven block ignition laser-ICF based on anomalous picosecond terawatt laser plasma interaction. *SPIE Proc.* **5228**, 295–305.
- HORA, H., CANG, YU., HE, XIANTU, ZHANG, JIE, OSMAN, F., BADZIAK, J., BOODY, F.P., GAMMINO, S., HÖPFL, R., JUNGWIRTH, K., KRALKOWA, B., KRASKA, J., LASKA, L., LIU, HONG, MILEY, G.H., PARYS, P., PENG, HANSHENG, PFEIFFER, M., ROHLANE, K., SKALA, J., SKLADANOWSKI, L., TORRISI, L., ULLSCHMIED, J., WOŁOWSKI, J. & ZHANG, W. (2004). Generation of nonlinear force driven blocks from skin layer interaction of petawatt-picosecond laser pulses for ICF. *Plasma Sci. Technol.* **6**, 2172–2187.
- HORA, H., LALOUSIS, P. & ELIEZER, S. (1984). Analysis of the inverted double layers in nonlinear force produced cavitons at laser-plasma interaction. *Phys. Rev. Lett.* **53**, 1650–1652.
- HORA, H. & MILEY, G.H. (2005). *Edward Teller Lectures: Laser and Inertial Fusion Energy*. London: Imperial College Press.
- HORA, H. & WANG, L. (2001). Comments on measurements by J. Zhang et al. *Summit on Plasma Physics*, Febr., Islamabad.
- JABLONSKI, S., HORA, H., GŁOWACZ, S., BADZIAK, J., CANG, YU. & OSMAN, F. (2005). Two-fluid computations of plasma block dynamics for numerical analyze of rippling effect. *Laser Part. Beams* **23**, 433–439.
- JONES, D.A., KANE, E.L., LALOUSIS, P., WILES, P.R. & HORA, H. (1982). Density modification and energetic ion production at relativistic self-focusing of laser beams in plasmas. *Phys. Fluids*, **25**, 2295–2302.
- KERNS, J.R., ROGERS, C.W. & CLARK, J.G. (1972). Mega-ampere electron beam penetration in CD₂. *Bull. Am. Phys. Soc.* **17**, 692.
- KLIMO, O. & LIMPOUCH, J. (2006). Particle simulation of acceleration of quasineutral plasma blocks by short laser pulses. *Laser Part. Beams*, in press.
- KODAMA & FAST IGNITOR CONSORTIUM (2002). Fast heating scalable to laser fusion ignition. *Nature* **418**, 933–943.
- LEDINGHAM, K.W.D., SPENCER, I., MCCANNY, T., SINGHAL, R.P., SANTALA, M.I.K., CLARK, E., WATTS, I., BEG, F.N., ZEPF, M., KRUSHELNIK, K., TATARAKIS, M., DANGOR, A.E., NORREYS, P.A., ALLOTT, R., NEELY, D., CLARK, R.J., MACHACEK, A.C., WARK, J.S., CRESSWELL, A.J., SANDERSON, D.C.W. & MAGILL, J. (2000). Photonuclear physics when a multiterawatt laser pulse interacts with solid targets. *Phys. Rev. Lett.* **84**, 899–902.
- LEEMANS, W.P., RODGERS, D., CATRAVAS, P.E., GEDDES, C.G.R., FUBIANI, G., ESAREY, E., SHADWICK, B.A., DONAHUE, R. & SMITH, A. (2001). Gamma-neutron activation experiments using laser wakefield accelerators. *Phys. Plasmas* **8**, 2510–2516.
- LEON, P.T., ELIEZER, S., MARTINEZ-VAL, J.M. & PIERA, M. (2001). Fusion burning waves in degenerate plasmas. *Phys. Lett.* **A289**, 135–140.
- LI, X.Z., LIU, B., CHEN, S., WEI, Q.M. & HORA, H. (2004). Fusion cross-sections for inertial fusion energy. *Laser Part. Beams* **22**, 469.
- MARSHAK, R.E. (1941). Wave mechanical scattering at particle collisions. *Ann. N.Y. Acad. Sci.* **41**, 49–67.
- MILEY, G.H., HORA, H., OSMAN, F., EVANS, P. & TOUPS, P. (2005). Single event laser fusion using ns-MJ laser pulses. *Laser Part. Beams* **23**, 453–460.
- MOUROU, G. & TAJIMA, T. (2002). Ultraintense lasers and their applications. In *Inertial Science and Applications 2001*. (Tanaka, V.R., Meyerhofer, D.D. & Meyer-ter-Vehn, J., Eds.), pp. 831–839. Paris: Elsevier.
- MULSER, P. & BAUER, D. (2004). Fast ignition of fusion pellets with superintense lasers: Concepts, problems and perspectives. *Laser Part. Beams* **22**, 5–12.
- MULSER, P. & SCHNEIDER, R. (2004). On the inefficiency of hole boring in fast ignition. *Laser Part. Beams* **22**, 157.
- NUCKOLLS, J.L. & WOOD, L. (2002). *LLNL Preprint*. UCRL-JC-149860.
- OSMAN, F., CASTILLO, R. & HORA, H. (1999). Relativistic self-focusing. *J. Plasma Phys.* **61** 263–273.

- PERRY, M.V. & MOUROU, G. (1994). Terawatt to petawatt sub-picosecond lasers. *Science* **264**, 917–924.
- RAY, P.S. & HORA, H. (1977). On the thermalization of energetic charged particles in fusion plasma with quantum electrodynamic considerations. *Zeitschrift für Naturforschung* **31**, 538–543.
- RAZUMOVA, K.A. (1983). Results from T-7, T-10, T-11, and TM-4 tokamaks. *Plasma Phys.* **26**, 37–47.
- ROTH, M., COWAN, T.E., KEY, M.H., HATCHETT, S.P., BRWON, C., FOUNTAIN, W., JOHNSON, J., PENNINGTON, D.W., SNAVELY, R.A., WILKS, S.C., YASUIKE, K., RUHL, H., PEGORARO, F., BULANOV, S.V., CAMPBELL, E.M., PERRY, M.D. & POWELL, H. (2001). Fast ignition by intense laser accelerated proton beams. *Phys. Rev. Lett.* **86**, 436–439.
- ROTH, M., BRAMBRINK, E., AUDEBERT, R., BLAZEVIC, A., CLARKE, R., COBBLE, J., COWAN, T.E., FERNANDEZ, J., FUCHS, J., GEISSEL, M., HABS, D., HEGELICH, M., HOFFMANN, D.H.H., KARSCH, S., LEDINGHAM, K., NEELY, D., RUHL, H., SCHLEGEL, T. & SCHREIBER, J. (2005). Laser accelerated ions and electron transport in ultra-intense laser matter interaction. *Laser Part. Beams* **23**, 95–100.
- RYUTOV, D.D., DERZON, M.S. & MATZEN, M.K. (2000). The physics of fast Z pinches. *Rev. Mod. Phys.* **72**, 167–223.
- SAUERBREY, R. (1996). Acceleration in femtosecond laser produced plasmas. *Phys. Plasma* **3**, 4712–4716.
- SCHÄFER, F.P. (1986). *Appl. Phys.* **B39**, 1.
- SCHAUMANN, G., SCHOLLMEIER, M.S., RODRIGUEZ-PRIETO, G., BLAZEVIC, A., BRAMBRINK, E., GEISSEL, M., KOROSTIY, S., PIRZADEH, P., ROTH, M., ROSMEJ, F.B., FAENOV, A.YA., PIKUZ, T.A., TSGUTKIN, K., MARON, Y., TAHIR, N.A. & HOFFMANN, D.H.H. (2005). High energy heavy ion jets emerging from laser plasma generated by long pulse laser beams from the NHELIX laser system at GSI. *Laser Part. Beams* **23**, 503–511.
- SCHWOERER, H., GIBBON, P., DUESTERER, S., BEHRENS, K., ZIENER, C., REICH, C. & SAUERBREY, R. (2001). MeV X rays and photoneutrons from femtosecond laser-produced plasmas. *Phys. Rev. Lett.* **86**, 2317–2320.
- STEPANEK, J. (1981). *Laser Interaction and Related Plasma Phenomena*. Schwarz, H. & Hora, E. (Eds.), Vol. 5, p. 341. New York: Plenum.
- TABAK, M., GLINSKY, M.N., KRUEER, W.L., WILKS, S.C., WOODWORTH, J., CAMPBELL, E.M., PERRY, M.D. & MASON, R.J. (1994). Ignition and high-gain with ultrapowerful lasers. *Phys. Plasmas* **1**, 1626–1634.
- TEUBNER, U., BERGMANN, B., VAN WONTERGEHM, B., SCHÄFER, F.P. & SAUERBREY, R. (1993). Angle dependent x-ray emission and resonance-absorption in a laser produced plasma generated by a high-intensity ultrashort pulse. *Phys. Rev. Lett.* **70**, 794–797.
- UMSTADTER, R. (1996). Terawatt lasers produced fast electron acceleration. *Laser Focus* **32**, 101–107.
- WILKS, S., LANGDON, A.B., COWAN, T.E., ROTH, M., SINGH, M., HACKETT, S.A., KET, M.H., PENNINGTON, D., MACKINNON, A. & SNAVELY, R.A. (2001). Energetic proton generation in ultra-intense laser-solid interactions. *Phys. Plasmas* **8**, 542–551.
- WOLOWSKI, J., BADZIAK, J., BOODY, G.S., HORA, H., JUNGWIRTH, K., KASKA, J., LASKA, L., PARYS, P., PFEIFER, M., ROHLENA, K., SZYDŁOWSKI, A., TORRIS, L., ULLSCHMIED, J. & WORYNA, E. (2003). Characteristics of ion emission from plasma produced by high-energy short-wavelength (438 nm) laser radiation. *Plasma Phys. Contr. Fusion* **45**, 1087–1093.
- WU, HUI-CHUN, SHENG, Z.M., ZHANG, J., CANG, Y. & ZHANG, J. (2005). Controlling ultrashort intense laser pulses by plasma Bragg gratings with ultrahigh damage threshold. *Laser Part. Beams* **23**, 417–421.
- YONAS, G. (1978) Fusion power with particle beams. *Scientific Am.* **239**, 40–51.
- ZHANG, P., HE, J.T., CHEN, D.B., LI, Z.H., ZHANG, Y., WONG, LANG, LI, Z.L., FENG, B.H., ZHANG, D.X., TANG, X.W. & ZHANG, J. (1998). X-Ray emission from ultraintense-ultrashort laser irradiation. *Phys. Rev.* **E57**, 3746–3752.